

# Anti-Vandal Rotary Selector Switch

## SPECIFICATIONS:

BUSHING:  $\varnothing$ 19mm.  
CONTACT RATING: 5A @ 250VAC.  
ELECTRICAL LIFE: 50,000 cycles at full load.  
CONTACT RESISTANCE: 50m-ohms max. initial @2-4VDC.  
INSULATION RESISTANCE: 1,000M-ohms min.@500VDC.  
DIELECTRIC STRENGTH: 2,000V RMS 50~60Hz.  
IP CLASS: IP67 & IK02 protection.  
TORQUE: 0.6Nm max. applied to nut.  
CONSTRUCTION FORM: DPDT.  
LED COLOUR: Green  
SWITCHING CIRCUIT: ON-ON.  
OPERATING TEMPERATURE: -20°C~+55°C.

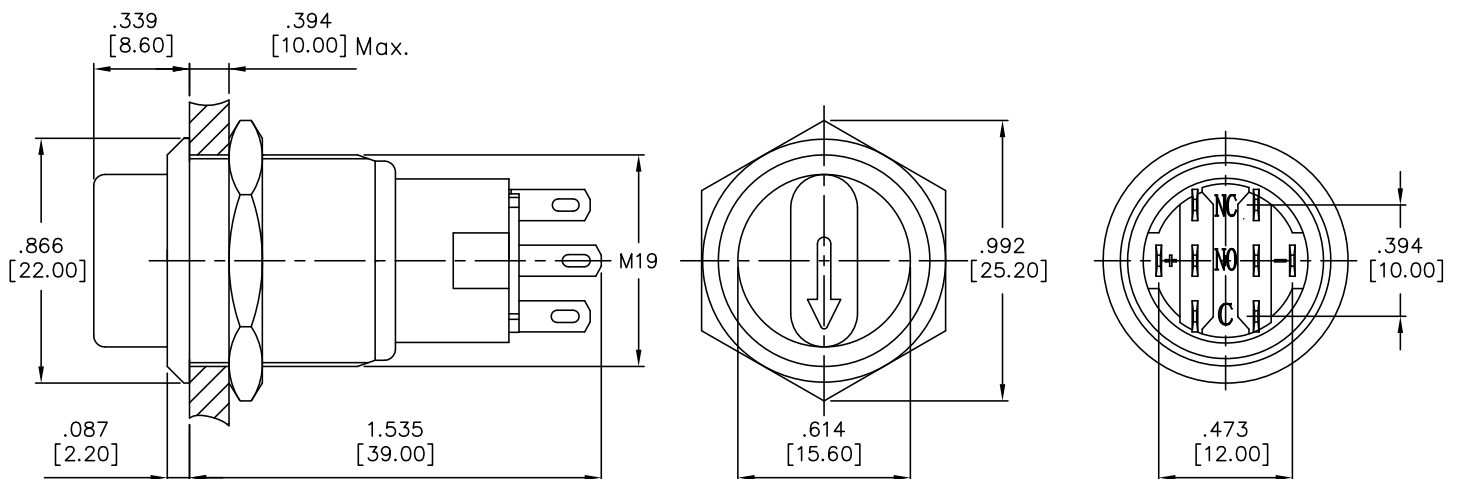


## MATERIALS:

CONTACT: Silver alloy.  
BUSHING: Stainless steel.  
BASE: PBT.  
NUT: Nickel plated brass.

Art. Nr.  
RND 210-00425

Specifications and Dimensions subject to change



### Key Position

